

Totalizing Counters „mini-i“ Type 634/635



TYPE VERSIONS

TECHNICAL DATA

- Miniature size
- Low power consumption
- Electrical connections in standard grid
- Suitable for PCB mounting
- Machine-solderable and washable versions available
- Protection class IP 65

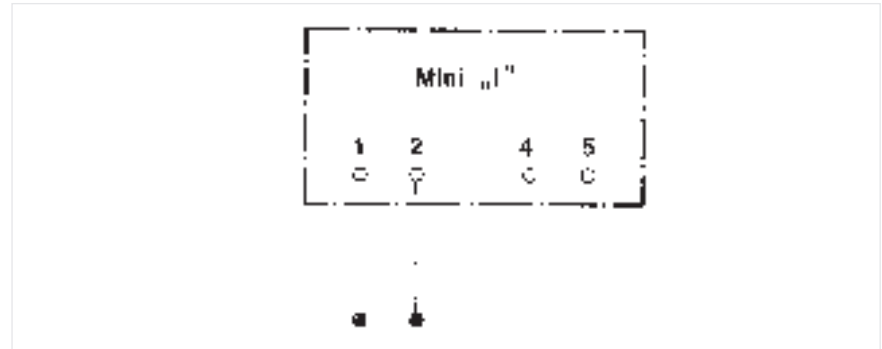
Type 634: Counter with high immunity against magnetic interference.
Type 635: Counter with high shock stability.

Display	6-digit	
Digit height	4 mm, visual	
Supply voltage V_{op}	according to order information, tolerance $\pm 10\%$	
Power consumption	Type 634: approx. 50 mW ... 440 mW according Version Type 635: 5...12 VDC 80 mW 24 VDC 160 mW	
Operating temperature	- 10 ... + 50 °C	
Storage temperature	- 40 ... + 85 °C	
El. connection	Versions .1 and .3 with solder pins, .7 and .8 with wiring posts $\varnothing 0.6$ mm, cable length < 30 m	
Mounting	Versions .1 and .3 on PCB's, .7 with wiring posts, .8 with locating spring	
Mounting position	horizontal	
Protection class (EN 60529)	Type .1 and .3	IP 65 Housing, IP 00 Connections
	Type .7 and .8	IP 66 Front, IP 00 Connections
	Type 8	IP 40 Front in Frontpanel
Vibro stability	Type 634: 20 m/s ² (10...500 Hz) acc. to IEC 068-2-6 Type 635: 30 m/s ² (10...500 Hz) acc. to IEC 068-2-6	
Shock stability	Type 634: 2000 m/s ² acc. to IEC 068-2-27 Type 635: 3500 m/s ² acc. to IEC 068-2-27	
General design	according EN 61010-1	
Contamination Level	2	
Protection	according to class II	
Overvoltage category	II	
Susceptibility to magnetic interference	Type 634 at 100 kA/m (PTB) no effect	
Maintenance-free operation	10 million pulses	
Duty cycle at 25 °C	100 %	
Weight	approx. 10 g	
Pulse length min.	50 ms	
Counting frequency max.	10 Hz	
Reset	none	

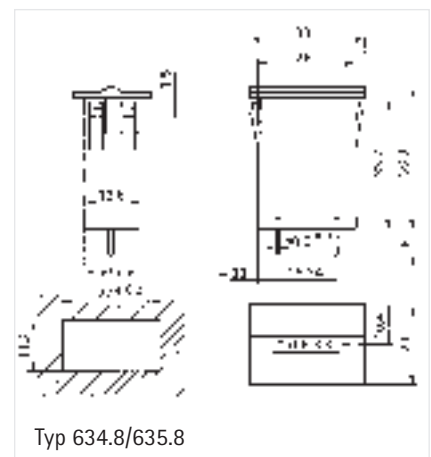
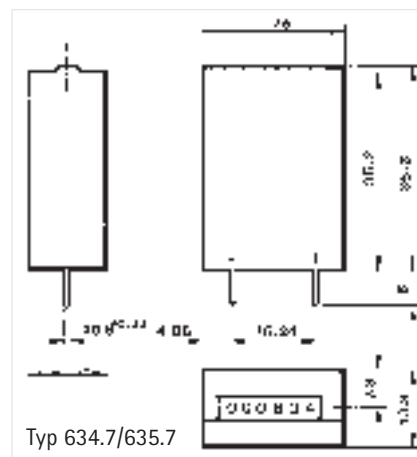
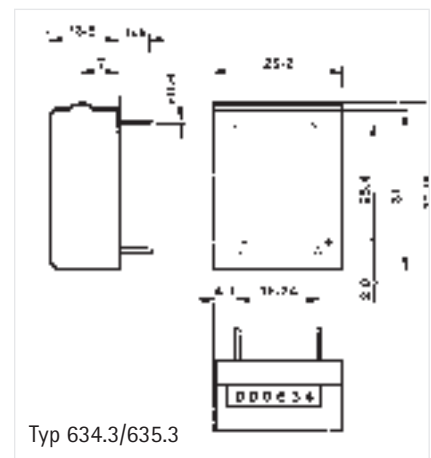
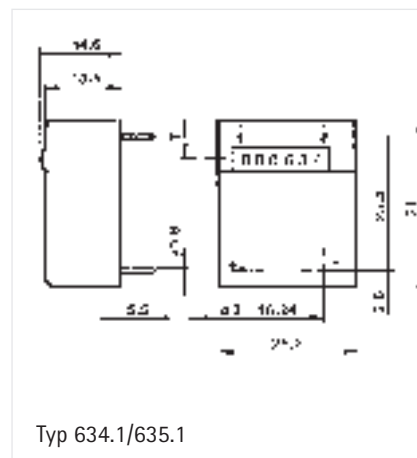
Type 634/635

Technical data

CONNECTION DIAGRAM



DIMENSIONS



Dimensions in mm

Technical data

Type 634/635

ORDER INFORMATION



Type 634

		634.1	634.3	634.7	634.8
Voltage	Ω	Ordering code	Ordering code	Ordering code	Ordering code
5 VDC	335	0 634 132	0 634 332	0 634 712	0 634 812
12 VDC	335 + RV 330 Ω^1	0 634 128	0 634 328	0 634 708	0 634 808
24 VDC	335 + RV 1K Ω^1	0 634 130	0 634 330	0 634 710	0 634 810

Type 634

		635.1	635.3	635.7	635.8
Voltage	Ω	Ordering code	Ordering code	Ordering code	Ordering code
5 VDC	320	0 635 132	0 635 332	0 635 712*	0 635 812
12 VDC	1860	0 635 128	0 635 328*	0 635 708	0 635 808
24 VDC	3720	0 635 130	0 635 330	0 635 710	0 635 810
Connection leads 150 mm			red	1 634 008	1 634 008
			black	1 634 007	1 634 007

* on request

Inquire for optional mounting position and further voltages
1 RV internal

Type 635



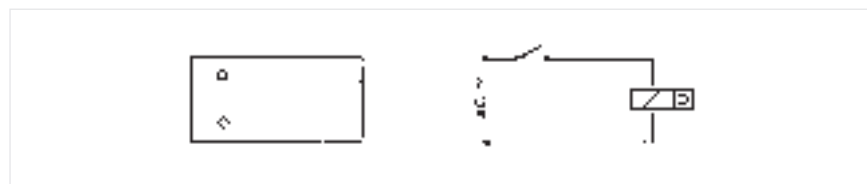
TECHNICAL DATA

„mini-iw“ for AC Voltage

- Miniature size
- Low power consumption
- Simple installation
- Protection class IP 65

Display	6-digit
Digit height	4 mm, visual
Supply voltage V_{Op}	according to order information, tolerance $\pm 10\%$,
Power consumption	at 24 VAC: 85 mW, at 115 VAC: 310 mW, at 230 VAC: 600 mW
Operating temperature	- 10 ... + 50 °C
Storage temperature	- 40 ... + 85 °C
El. connection	screw connection
Mounting	with clamping frame
Mounting position	horizontal
Protection class (EN 60529)	IP 65 Frontside, IP 00 Connections IP 40 Front in Frontpanel
Vibrostability	30 m/s ² (10 ... 500 Hz) acc. to IEC 068-2-6
Shock stability	800 m/s ² (6 ms) acc. to IEC 068-2-27
General design	according EN 61010-1
Contamination Level	2
Protection	according to class II
Overvoltage category	II
Maintenance-free operation	10 million pulses
Duty cycle at 25 °C	100 %
Weight	approx. 20 g
Count input	adding
Pulse length min.	50 ms
Counting frequency	10 Hz
Pulse duty factor	1:1
Reset	none

CONNECTION DIAGRAM

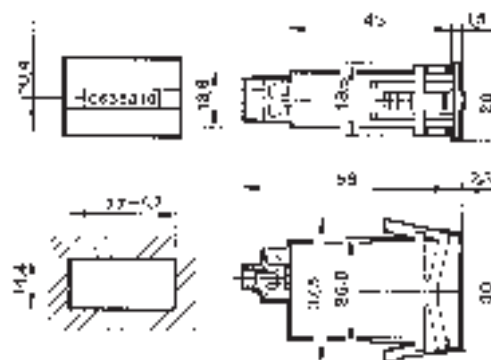


Technical data

Type 635

DIMENSIONS

Clamping terminal connection



Dimensions in mm

ORDER INFORMATION

Coil		Ordering code
Voltage	Resist	Clamping term. conn.
24 VAC	6.8 k Ω	0 635 811
115 VAC	6.8 k Ω + RV 25 k Ω	0 635 813
230 VAC	6.8 k Ω + RV 66 k Ω	0 635 815

Panel Frame 24 x 36 (assembly dimension 22 x 33) Ordering code 1 405 674

Inquire for other versions

Type 635



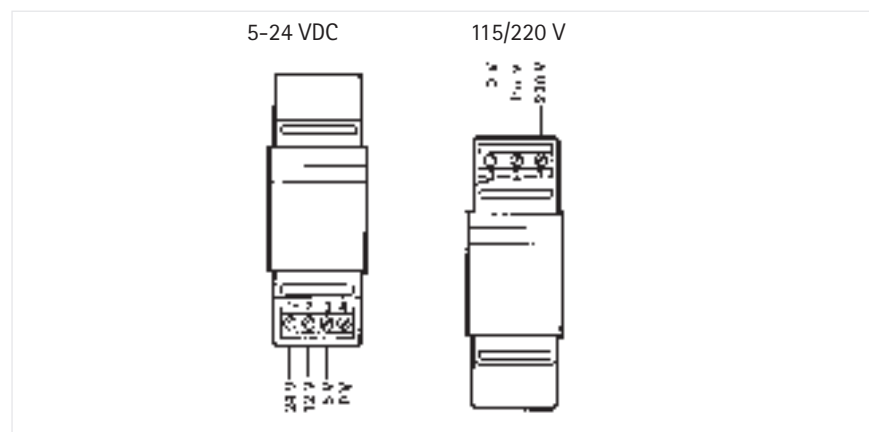
TECHNICAL DATA

for DIN-Rail Attachment

- DIN rail attachment
- Wide voltage range
- Screw terminal connection
- No reset

Display	6-digit
Digit height	4 mm, visual
Supply voltage V_{op}	5, 12, 24 VDC or 115/220 VDC/VAC, dep. on version DC version $\pm 10\%$, 230 VAC $+6 -10\%$
Power consumption	80 mW on 5 VDC, 200 mW on 12 VDC, 400 mW on 24 VDC, 350 mW on 115 VAC, 665 mW on 220 VAC
Max. residual ripple	DC operation: 48 %
Operating temperature	- 10 ... + 50 °C
Storage temperature	- 40 ... + 85 °C
El. connection	screw terminals, max. 2.5 mm ²
Mounting	35 mm DIN rail
Protection class (IEC 144)	IP 10
Vibrostability	50 m/s ² acc. to IEC 068-2-6
Shock stability	2000 m/s ² (3 ms) acc. to IEC 068-2-27
General design	acc. to VDE 0435; contamination class 2 acc. to VDE 0110
Duty cycle at 25 °C	100 %
Maintenance-free	10 ⁷ pulses
Weight	approx. 40 g
Count input	adding
Pulse length min.	50 ms
Counting frequency max.	10 Hz
Pulse duty factor	1:1
Reset	none

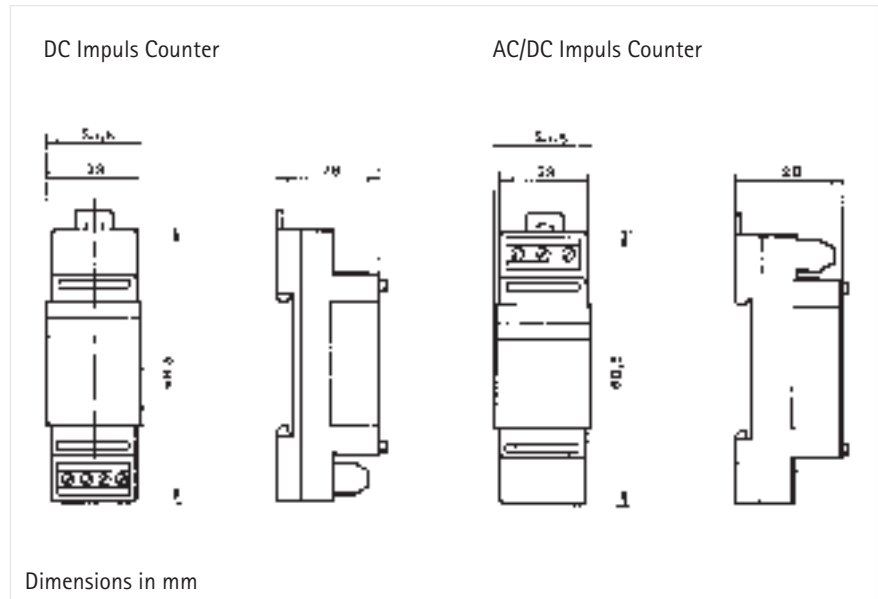
CONNECTION DIAGRAM



Technical data

Typ 635

DIMENSIONS



ORDER INFORMATION

Supply voltage 5, 12 and 24 VDC	Ordering code 0 635 532
Supply voltage 24 VAC	Ordering code 0 635 541
Supply voltage 115 and 230 VDC/VAC	Ordering code 0 635 550